

2601
10-31-64
1000-1
EO 05-45B-4A

ROYAL CANADIAN AIR FORCE



PART LIST

EXPEDITOR
3TM (SPECIAL)

ISSUED ON AUTHORITY OF THE CHIEF OF THE AIR STAFF

17 JUL 64

LIST OF RCAF REVISIONS

DATE

PAGE NO

DATE

PAGE NO

TABLE OF CONTENTS

PART	TITLE	PAGE
1	INTRODUCTION	1
	GENERAL	1
2	GROUP ASSEMBLY PART LIST	3

LIST OF ILLUSTRATIONS

FIGURE	TITLE	PAGE
2-1	Radio Equipment Installation	4
2-2	Radio Equipment Installation	9
2-3	Floating Panel Assembly	11
2-4	Decals and Placards Installation	14
2-5	Lavatory and Rear Radio Compartment Installation	17

PART 1**INTRODUCTION****GENERAL**

1 This Part List addendum is applicable to Royal Canadian Air Force Expeditor Aircraft serial numbers 1521, 1527, 1533, 1566.

2 These four aircraft have been modified to incorporate the following systems:

(a) AN/ARC-552 UHF system.

(b) Bendix VHF system.

(c) Bendix VOR/ILS system.

(d) Marker beacon receiver installation.

(e) AN/ARN-6 radio compass installation.

(f) Interphone system.

3 For systems not shown in this Part List addendum refer to RCAF EO 05-45B-4.

PART 2

GROUP ASSEMBLY PART LIST

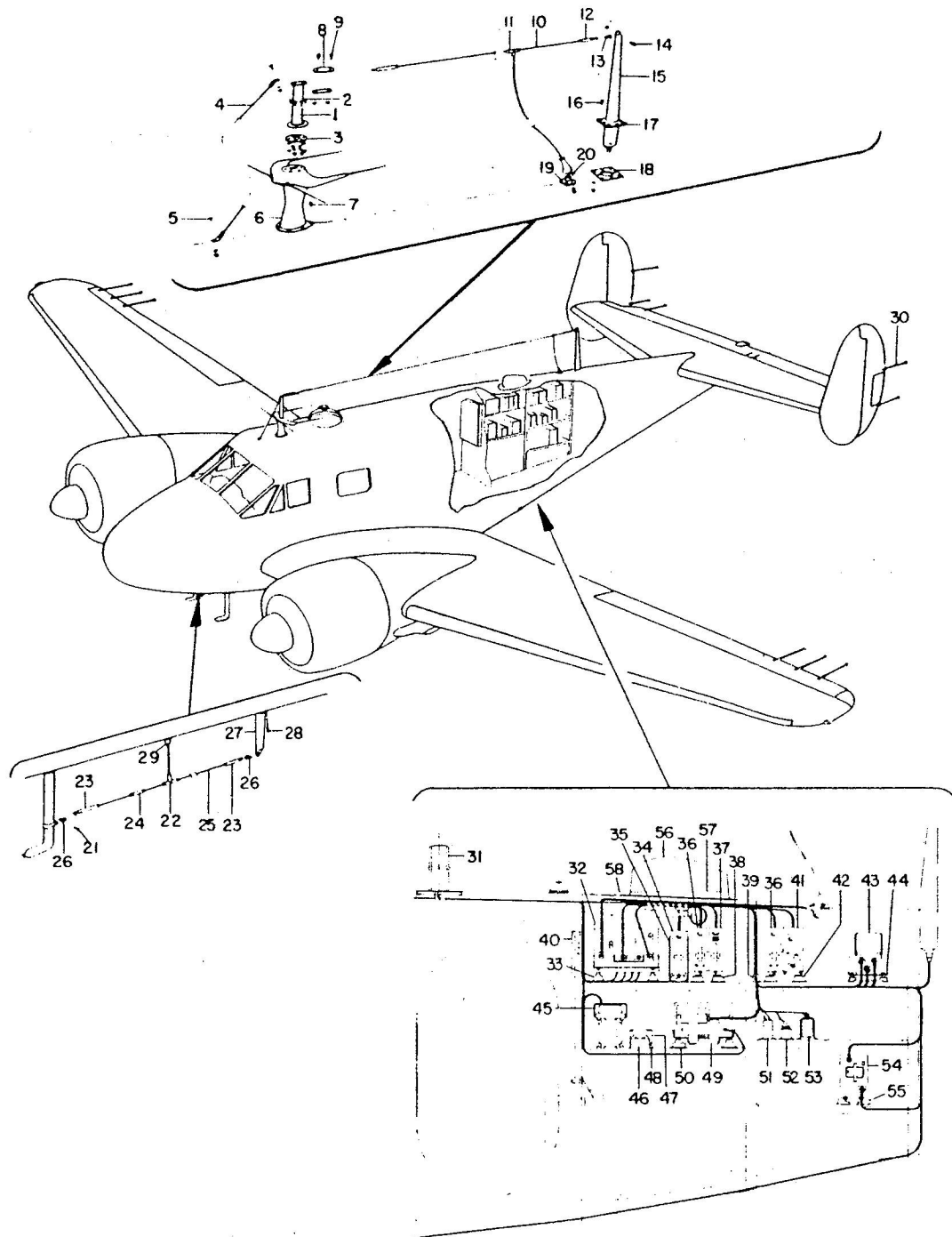


Figure 2-1 Radio Equipment Installation

Figure and Index Number	Group FURNISHINGS						Units per Assy	Usage on Code
	Major Assembly RADIO EQUIPMENT INSTALLATION							
	Part	1	2	3	4	5 6 7		
2-1-	644-180671	Equipment Installation - Antenna						
-1	901-180805	Mast Assembly						
		OR						
	3MBA6943	Mast Assembly					1	
	ATTACHING PARTS							
-2	AN505-8028	Screw - Fillister head no. 8-32 x 1-3/4 in.					6	
	AN960-8L	Washer - Plain no. 8					6	
	AN364-832	Nut - Self-locking no. 8-32					6	
-3	901-180806	Gasket - Mast mounting					1	
-4	111513-024003	Cable Assembly - Antenna support					1	
	ATTACHING PARTS							
-5	AN515-8-8	Screw - Round head no. 8-32 x 1/2 in.					2	
	AN960-8	Washer - Plain no. 8					2	
	AN365-832	Nut - Self-locking no. 8-32					2	
	180806P	Anchor - Antenna brace					1	
	804-180459	Seal					1	
	ATTACHING PARTS							
	AN526-832-9	Screw - Truss head no. 8-32 x 8/16 in.					2	
	AN960-8	Washer - Plain no. 8					2	
	AN365-832	Nut - Self-locking no. 8-32					2	
-6	AS-27A/ARN5	Mast Assembly						
		OR						
	AS-27/ARN5	Mast Assembly					1	
	644-180672	Gasket						
	ATTACHING PARTS							
-7	AN526-1032-8	Screw - Truss head no. 10-32 x 1/2 in.					6	
	AN960-10	Washer - Plain no. 10					6	
	AN365-1032	Nut - Self-locking no. 10-32					6	
-8	644-180686	Clamp					2	
	ATTACHING PARTS							
	AN23-13A	Bolt - Clevis no. 10-32 x 27/32 in.					2	
	AN960-10	Washer - Plain no. 10					2	
	AN364-1032	Nut - Self-locking no. 10-32					2	
	102809-250-013	Pin					1	
-9	AN23-13A	Bolt - Clevis no. 10-32 x 27/32 in.					2	
	AN960-10	Washer - Plain no. 10					2	
-10	644-180671-12	Antenna Assembly - ADF sense					1	
-11	TS-100	Tee - Splice					1	
	SI-100	Tee - Splice					1	
-12	TUI-100	Unit Tension					1	
	TU-100	Unit Tension					1	
	WS-5B/U	Wire Antenna					1	
-13	AN115-21	Shackle					1	
	ATTACHING PARTS							
-14	AN23-14A	Bolt - Clevis no. 10-32 x 29/32 in.					1	
	AN364-1032	Nut - Self-locking No. 10-32					1	
-15	AN104-B	Mast - VHF Antenna					1	
	ATTACHING PARTS							

Figure and Index Number	Group FURNISHINGS							Units per Assy	Usage on Code		
	Major Assembly RADIO EQUIPMENT INSTALLATION (Cont'd)										
	Part	1	2	3	4	5	6 7			Nomenclature	
2-1-16	AN526-632-10							Screw - Truss head no. 6-32 x 5/8 in.	8		
	AN960-6							Washer - Plain no. 6	8		
	AN365-632							Nut - Self-locking no. 6-32	8		
-17	694-180673							Plate - AN104-B antenna mast	1		
-18	694-180672							Gasket - AN104-B antenna mast	1		
	694-180671-10							Shim - AN104-B antenna mast	2		
	694-180674							Clamp - mast assembly	1		
	IMBA-6658							Bushing	1		
	ATTACHING PARTS										
	AN526-832-36							Screw - Truss head no. 8-32 x 2-1/4 in.	2		
	AN960-8							Washer - Plain no. 8	4		
	AN365-832							Nut - Self-locking no. 8-32	2		
	AN526-632-12							Screw - Truss head no. 6-32 x 3/4 in.	4		
	AN526-632-16							Screw - Truss head no. 6-32 x 1 in.	4		
	AN960-6							Washer - Plain no. 6	32		
	AN365-632							Nut - Self-locking no. 6-32	8		
-19	LI-100							Insulator - Antenna lead-in	1		
	ATTACHING PARTS										
-20	AN515-6-12							Screw - Round head no. 6-32 x 3/4 in.	6		
	AN960-6							Washer - Plain no. 6	6		
	AN365-632							Nut - Self-locking no. 6-32	6		
	644-180671-10							Antenna Assembly - Marker beacon	1		
	ATTACHING PARTS										
-21	AN23-8A							Bolt - Clevis no. 10-32 x 17/32 in.	2		
	AN364-1032							Nut - Self locking no. 10-32	2		
-22	TS-100							Tee - Splice	1		
	SI-100							Tee - Splice	1		
-23	TUI-100							Unit - Tension	2		
	TU-100							Unit - Tension	2		
-24	SI-100							Insulator - Strain	1		
-25	WS-5B/U							Wire - Marker beacon	1		
-26	AN115-16							Shackle	2		
-27	404-184737							Mast Assembly - Marker beacon	1		
	ATTACHING PARTS										
-28	AN526-832R7							Screw - Truss head no. 8-32 x 7/16 in.	3		
	AN526-832R8							Screw - Truss head no. 8-32 x 1/2 in.	1		
	694-180612							Channel Assembly - Antenna mast re-			
								inforcement upper	1		
	694-180613							Bracket Assembly - Attaching antenna mast	1		
-29	TM-201							Insulator - Antenna lead-in	1		
	644-180821							Wick Installation - Static discharge	1		
-30	SD-3 or AN/										
	ASA-3							Wick - Static discharge	12		
	ATTACHING PARTS										
	AN526-632-6							Screw - Truss head no. 6-32 x 3/8 in.	2		
	6K75							Rivnut - (GD)	2		
	C63F49230							AT/256 ARC Antenna Mast Inst.			
-31	AT/256							Antenna Mast	1		
	ATTACHING PARTS										

Figure and Index Number	Group FURNISHINGS							Units per Assy	Usage on Code		
	Major Assembly RADIO EQUIPMENT INSTALLATION (Cont'd)										
	Part	1	2	3	4	5	6			7	Nomenclature
2-1-	AN509-10R15	Screw - CSK head no. 10-32 x 15/16 in. lg.	8	
	C63F49204	Radio Equipment Installation		
-32	R-101A/ARN-6	Radio Compass Unit	1	
-33	MT-273/ARN-6	Mount	1	
	MT-274/ARN-6	Mount	1	
	ATTACHING PARTS										
	AN515-8R8	Screw	16	
	AN960-8L	Washer	16	
	MS20365-832	Nut	16	
-34	GSA-8A	Receiver Glide Slope	1	
-35	MTA-8A	Mount	1	
	ATTACHING PARTS										
	AN520-10R8	Screw	4	
	AN960-10L	Washer	4	
	MS20365-1032	Nut	4	
-36	RA-21A	Receiver VHF	1	
-37	NVA-21A	Navigation Unit	1	
-38	MTA-21C	Mount	1	
	ATTACHING PARTS										
	AN520-10R8	Screw	16	
	AN960-10L	Washer	16	
	MS20365-1032	Nut	16	
-39	CU5038/ARC	552		
		Directional Coupling	1	
	ATTACHING PARTS										
	AN520-10R8	Screw	4	
	AN960-10L	Washer	4	
	MS20365-1032	Nut	4	
-40	52479-502	Box Assembly - Junction	1	
-41	TA-21A	Transmitter VHF	1	
-42	MTA-21D	Mount	1	
	ATTACHING PARTS										
	AN520-10R8	Screw	16	
	AN960-10L	Washer	16	
	MS20365-1032	Nut	16	
-43	A-5002/ARP	Isolation Amplifier	1	
-44	FT-231-A	Mount	1	
	ATTACHING PARTS										
	AN520-10R8	Screw	8	
	AN960-10L	Washer	8	
	MS20365-1032	Nut	8	
-45	F20-4	Inverter	1	
	ATTACHING PARTS										
	AN520-10R8	Screw	4	
	AN960-10L	Washer	4	
	MS20365-1032	Nut	4	
-46	PE-86	Dynamotor	1	
	ATTACHING PARTS										

Figure and Index Number	Group FURNISHINGS							Units per Assy	Usage on Code	
	Major Assembly RADIO EQUIPMENT INSTALLATION (Cont'd)									
	Part	1	2	3	4	5	6 7			Nomenclature
2-1-	AN515-8R8	Screw	4	
	AN960-86	Washer	4	
	MS20365-832	Nut	4	
-47	BC-347	Interphone Amplifier	1	
-48	FT-486	Mount	1	
	ATTACHING PARTS									
	AN515-8R8	Screw	4	
	AN960-8L	Washer	4	
	MS20365-832	Nut	4	
-49	RT5011/			
	ARC552	Receiver/Transmitter	1	
-50	MT1477/			
	ARC552	Mount	1	
	C6349206-1	Channel	2	
	ATTACHING PARTS									
	AN520-10R8	Screw	16	
	AN960-10L	Washer	16	
	MS20365-1032	Nut	16	
-51	23018	Transformer	1	
	ATTACHING PARTS									
	AN515-8R8	Screw	4	
	AN960-8L	Washer	4	
	MS20365-832	Nut	4	
-52	237EAU	Relay	1	
	ATTACHING PARTS									
	AN515-8R8	Screw	4	
	AN960-8L	Washer	4	
	MS20365-832	Nut	4	
-53	34999	Transformer	1	
	ATTACHING PARTS									
	AN515-8R8	Screw	4	
	AN960-8L	Washer	4	
	MS20365-832	Nut	4	
-54	MN53B	Receiver	1	
-55	MR-64A	Mount	1	
	ATTACHING PARTS									
	AN520-10R8	Screw	16	
	AN960-10L	Washer	16	
	MS20365-1032	Nut	16	
	52483-1	AS313 Loop Installation		
-56	AS313	Loop	1	
-57	52482-1	Bracket - Mounting	1	
-58	46347-1	Gasket	1	
	ATTACHING PARTS									
	AN526-1032R12	Screw	7	
	AN960-10L	Washer	7	
	MS20365-1032	Nut	7	

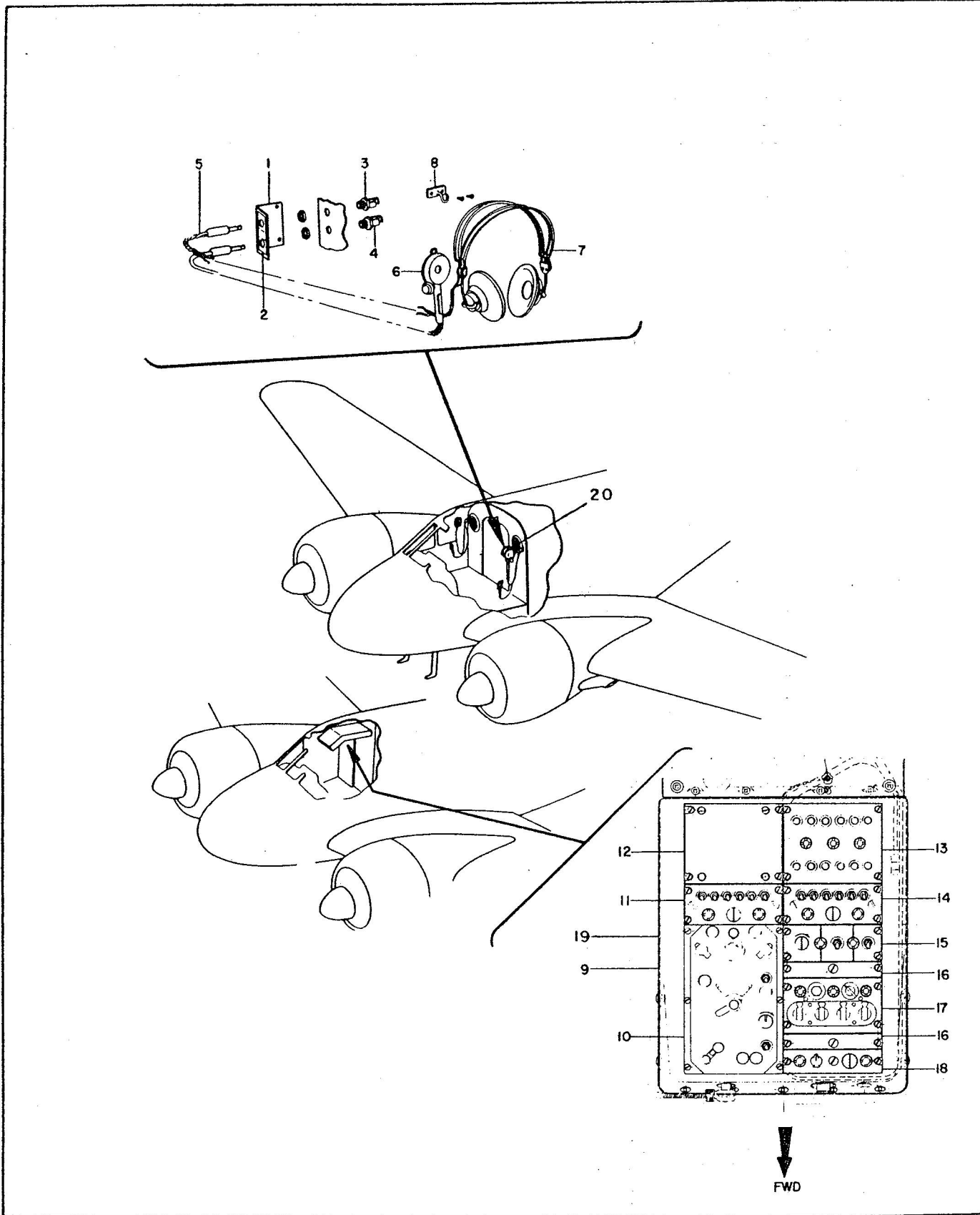


Figure 2-2 Radio Equipment Installation

Figure and Index Number	Group FURNISHINGS							Units per Assy	Usage on Code		
	Major Assembly RADIO EQUIPMENT INSTALLATION										
	Part	1	2	3	4	5	6			7	Nomenclature
2-2-1	404-180738								Bracket - Mounting LH	1	
	404-180738-1								Bracket - Mounting RH	1	
	ATTACHING PARTS										
	AN526-632-7								Screw - Truss head no. 6-32 x 7/16 in. per bracket	3	
	AN960-6								Washer - Plain no. 6	3	
	AN365-632								Nut - Self-locking no. 6-32	3	
-2	404-180129								Placard - Headset and microphone jackbox LH	1	
	404-180134								Placard - Headset and microphone jackbox RH	1	
-3	JK-34								Jack - Headset	2	
-4	JK-33								Jack Microphone	2	
-5	202841-360								Connector - Headset	2	
-6	T-17								Microphone - Hand	2	
-7	HS-33								Headset - Radio	2	
-8	180634U								Holder - Hand microphone and headset	2	
	ATTACHING PARTS										
	AN526-632-6								Screw - Truss head no. 6-32 x 3/8 in.	4	
	AN960-6								Washer - Plain no. 6	4	
	AN365-632								Nut - Self-locking no. 6-32	4	
-9	C63F49203								Radio Console Installation	Ref	
-10	46339-1								Control Panel - ARN6	1	
-11	46349-502								Control Assembly - Audio, pilot	1	
-12	46354-1								Panel Assembly - Mic relay	1	
-13	46353-501								Panel Assembly - Circuit breaker	1	
-14	46349-503								Control Assembly - Audio, co-pilot	1	
-15	46346-1								Control Assembly - Intercom	1	
-16	C63B49202-1								Plate - Blanking	2	
-17	C5064-1/ ARC552								Control - UHF	1	
-18	C63049199-1								Control Assembly - Marker	1	
-19	52484-501								Frame Assembly - Radio console	1	
-20	26984-1								Cover Blanking	2	

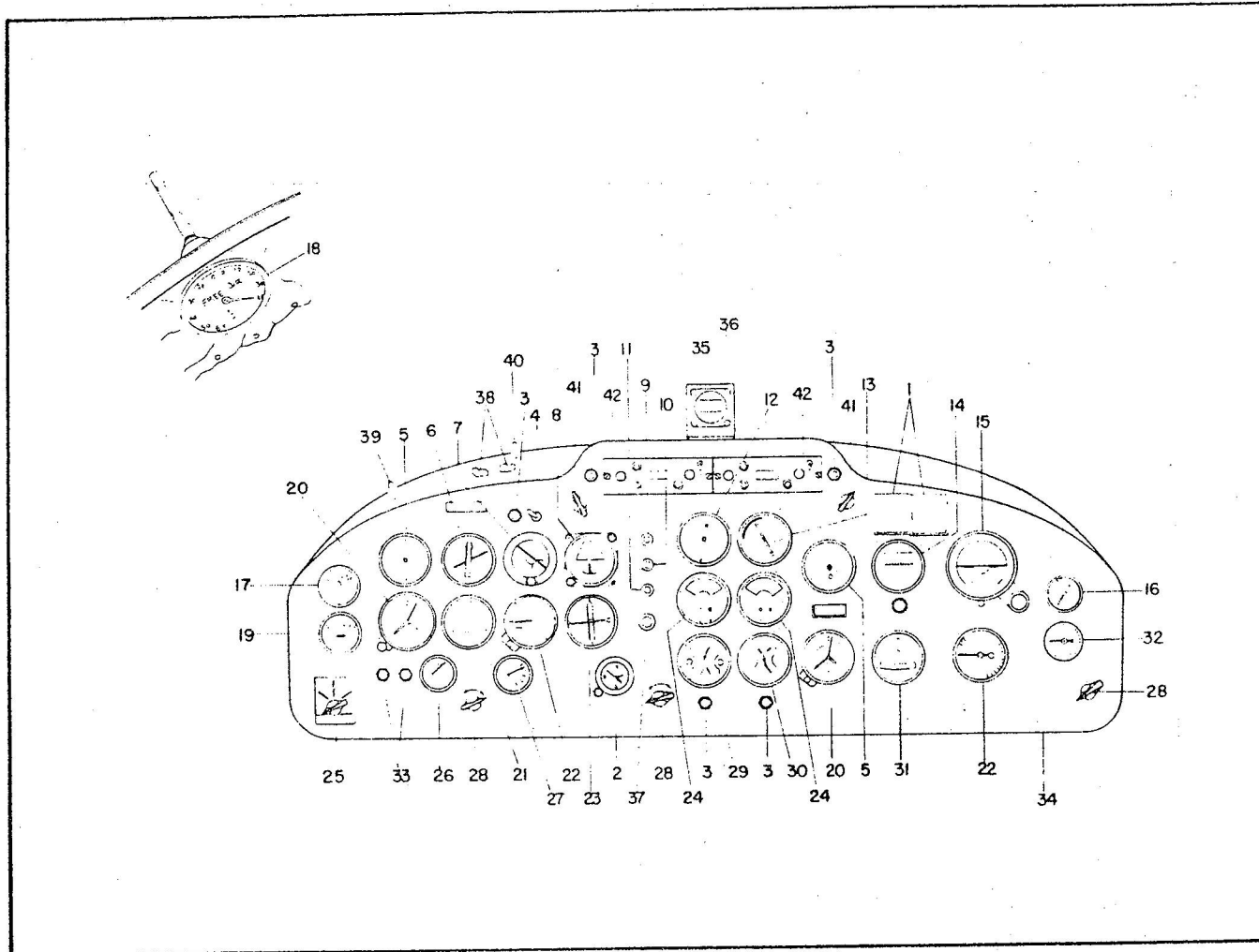


Figure 2-3 Floating Panel Assembly

Figure and Index Number	Group FURNISHINGS							Units per Assy	Usage on Code		
	Major Assembly FLOATING PANEL ASSEMBLY										
	Part	1	2	3	4	5	6			7	Nomenclature
2-3-	C63D49209-1	Panel Assembly - Floating	Ref	
-1	644-183856	Holder Compass Card	2	
-2	AN5743-2	Clock - 8 day type A11	1	
	ATTACHING PARTS:			
	NAS387-6-14	Screw - Oval head no. 6-32 x 7/8 in.	2	
-3	VM-400-2	Lamp Assembly - (MARI)	5	
-4	AN3021-2	Switch	1	
-5	1426-12D	Indicator - Airspeed (Ref. RCAF 6A/1168)	2	
	ATTACHING PARTS:			
	NAS387-6-14	Screw - Oval head no. 6-32 x 7/8 in.	8	
-6	653897-4B	Indicator - Electrical master gyrosyn	1	
	ATTACHING PARTS:			
	NAS387-6-14	Screw - Oval head no. 6-32 x 7/8 in.	3	
-7	654744	Indicator - Electrical gyro horizon (type H5)		
		(Sperry)	1	

Figure and Index Number	Group FURNISHINGS							Units per Assy	Usage on Code	
	Major Assembly FLOATING PANEL ASSEMBLY									
	Part	1	2	3	4	5	6 7			Nomenclature
2-3-	ATTACHING PARTS . . .									
-8	NAS387-6-14							Screw - Oval head no. 6-32 x 7/8 in.	4	
	MN97HA4							Course Indicator	1	
	ATTACHING PARTS . . .									
	AN515-B8R14							Screw - Oval head no. 8-32 x 7/8 in.	2	
	AN960-D8							Washer	2	
	MS20365-D832							Nut	2	
-9	A120196-1							Jewel and Holder	1	
-10	A120196-3							Jewel and Holder	1	
-11	A120196-4							Jewel and Holder	1	
-12	AN5530-2A							Tachometer - Engine speed	1	
	ATTACHING PARTS . . .									
-13	NAS387-6-14							Screw - Oval head no. 6-32 x 7/8 in.	4	
	AN5770-2							Gauge - Manifold pressure	1	
	ATTACHING PARTS . . .									
-14	NAS387-6-14							Screw - Oval head no. 6-32 x 7/8 in.	4	
	AN5735-2							Indicator - Directional gyro type A-5	1	
	ATTACHING PARTS . . .									
-15	NAS387-10-14							Screw - Oval head no. 10-32 x 7/8 in.	4	
	AN5736-2							Indicator - Artificial horizon type C7	1	
	ATTACHING PARTS . . .									
-16	NAS387-10-14							Screw - Oval head no. 10-32 x 7/8 in.	3	
	AN5771-58							Gauge - Suction direct acting	1	
	ATTACHING PARTS . . .									
-17	NAS387-6-14							Screw - Oval head no. 6-32 x 7/8 in.	4	
	AN5790-6							Thermometer - Free air	1	
	ATTACHING PARTS . . .									
-18	NAS387-6-14							Screw - Oval head no. 6-32 x 7/8 in.	4	
	C13A							Thermometer - Direct acting	1	
	ATTACHING PARTS . . .									
-19	EM20205							Spacer	1	
	EA102							Gauge - Fuel content (LI)	1	
	ATTACHING PARTS . . .									
-20	NAS387-6-14							Screw - Oval head no. 6-32 x 7/8 in.	4	
	AN5760-3A									
	(Mod)							Altimeter	2	
	ATTACHING PARTS . . .									
-21	NAS387-6-14							Screw - Oval head no. 6-32 x 7/8 in.	6	
	AN5819-3							Indicator - Turn and slip, type C-1	1	
	ATTACHING PARTS . . .									
-22	NAS387-6-14							Screw - Oval head no. 6-32 x 7/8 in.	4	
	AN5825-P6							Indicator - Rate of climb	2	
	ATTACHING PARTS . . .									
-23	NAS387-6-14							Screw - Oval head no. 6-32 x 7/8 in.	6	
	MN72(G)							Radio Indicator	1	
	ATTACHING PARTS . . .									
-24	AN507-B832R14							Screw - CSK head no. 8-32 x 7/8 in.	4	
	AN5773-1							Gauge - Unit engine	2	
	ATTACHING PARTS . . .									

* Refer to EO 05-45B-6A/123



Figure and Index Number	Group FURNISHINGS							Units per Assy	Usage on Code		
	Major Assembly FLOATING PANEL ASSEMBLY (Cont'd)										
	Part	1	2	3	4	5	6			7	Nomenclature
2-3-	NAS387-6-14	Screw - Oval head no. 6-32 x 7/8 in.	8	
-25	1316L	Switch - Rotary - full gauge (MAL)	1	
-26	C106336	Indicator - Position elevator tab (SW)	1	
	106464	Resistor - (SW)	1	
-27	106335	Indicator - Flap position (SW)	1	
	106464	Resistor - (SW)	1	
-28	A-2334-A	Rheostat - Fluorescent (GMC)	3	
-29	AN16C-1	Thermometer - Cylinder head temperature (Ref)	1	
	ATTACHING PARTS										
	NAS387-6-14	Screw - Oval head no. 6-32 x 7/8 in.	4	
-30	AN5795-6	Thermometer - Carburettor air temperature	1	
	ATTACHING PARTS										
	NAS387-6-14	Screw - Oval head no. 6-32 x 7/8 in.	4	
-31	AN5820-1	Indicator - Turn and slip, type A11	1	
	ATTACHING PARTS										
	NAS387-6-14	Screw - Oval head no. 6-32 x 7/8 in.	4	
-32	AN5771-3A	Gauge - De-icer pressure	1	
	ATTACHING PARTS										
	NAS387-6-14	Screw - Oval head no. 6-32 x 7/8 in.	4	
-33	AN3157-6	Light Assembly	2	
-34	52470	Panel Assembly - Floating	1	
	46328	Panel - Floating	1	
	734-183804-4	Hinge	1	
-35	AN5766-4/C	Compass - Magnetic, B21	1	
-36	52459-1	Bracket Assembly - Magnetic compass	1	
-37	C8101	Switch - Push button (Heatherington)	1	
	IMBA13356	Placard - Under carriage warning horn silencer	1	
	IMBA13294	Placard - Anti-icer control	1	
-38	54267	Switch - Feathering (HS) (see Figure 45)	Ref	
	34822-1	Guard - Propeller feathering button (see Figure 45)	Ref	
-39	AN3021-2	Switch - Summer-Winter feathering dilution (see Figure 45)	Ref	
-40	AN3160-5	Circuit Breaker Switch (see Figure 45)	Ref	
-41	3143J	Switch - Rotary	2	
	366-1	Knob	2	
-42	CNA-21CN	Control	2	

X Refer to EO 05-45B-6A/208

EO 05-45B-6A/255

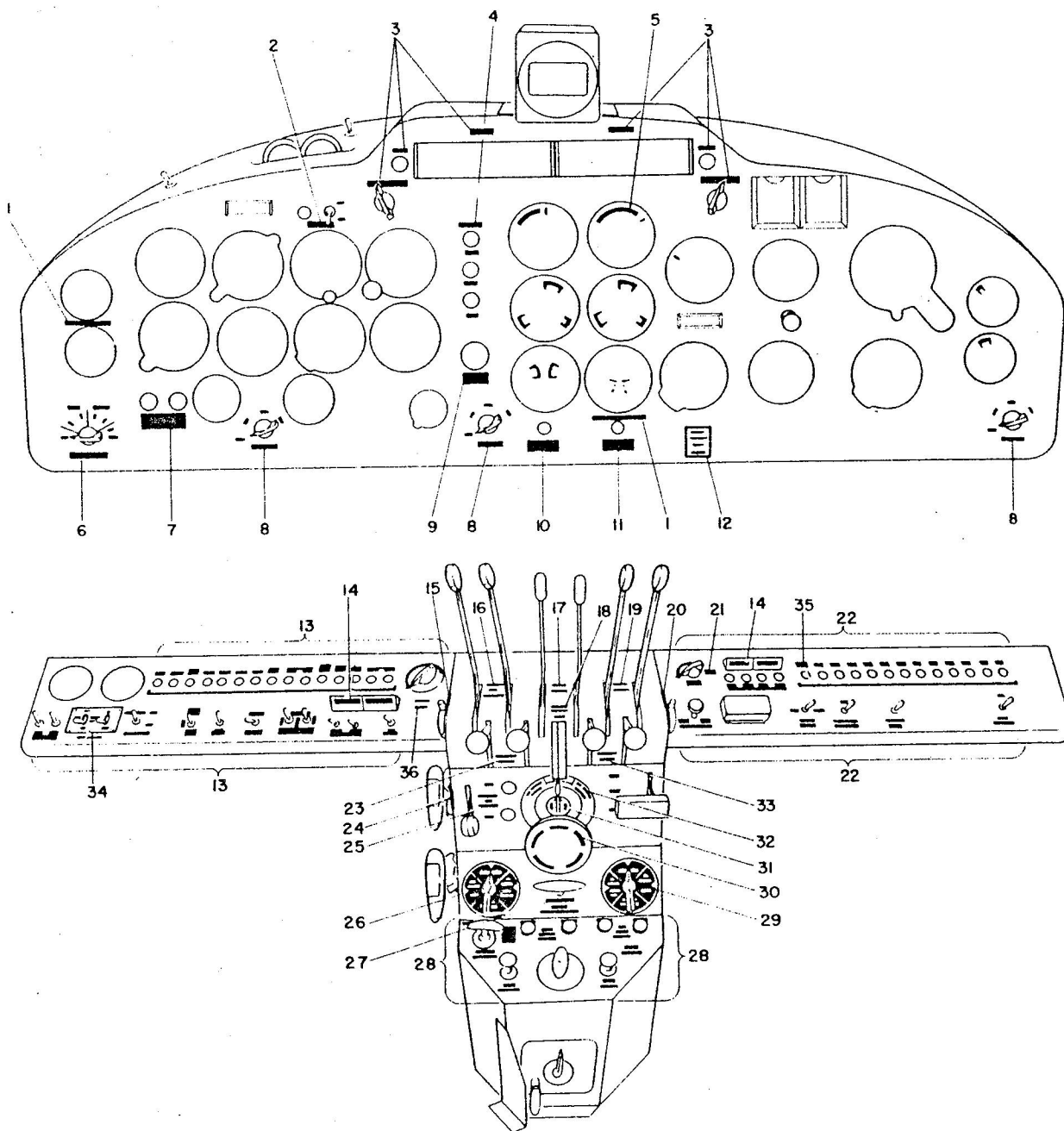


Figure 2-4 Decals and Placards Installation

Figure and Index Number	Group FURNISHINGS						Units per Assy	Usage on Code	
	Major Assembly DECAL AND PLACARD INSTALLATION								
	Part	1	2	3	4	5 6 7			Nomenclature
2-4-1	No Number						Type 1 - Free air and carburettor air (Spec. 17012)	2	
-2	644-180045						Gyro Horizon Erection Unit	1	
-3	C63F49208						VHF - VOR/ILS Fuel Warning - Interphone	1	
-4	404-180066						Marker Beacon	3	
-5	4MBA6827						Instrument Markings	1	
-6	644-180063						Fuel Gauge Selector - Imperial gallons	1	
-7	No Number						Fire Detector (EO 05-45B-6A/51)	1	
-8	407-180015						Instrument Lighting	3	
-9	IMBA13356						Undercarriage Warning Horn	1	
-10	13315-1						Generator Warning Port	1	
-11	13315-2						Generator Warning Starboard	1	
-12	IMBA13294						Anti-Icer Control	1	
-13	644-180172						Oil Dilution - Left - Right, Fire Detection - Left - Right-On-Test, Windshield Wiper - Fast-Slow- Off - Do Not Operate on Dry Glass, Pilot heat - Off, - Off-Bright, Circuit Breakers - Press to Reset - Fire Detection, Windshield Wiper, Ignition Booster, Pilot Heat, Oil Dilution, Navigation Lights, Landing Gear Warning Horn, Landing Light Lamp - Left-Right, Fuel Gauge And Warning Lights, Landing and Vacuum Warning Lights, Carburettor Mixture Tempera- ture, Landing Light Motor, - Left-Right, Landing Gear Control - Press to open.	1	
-14	180006						Master Switch	2	
-15	404-180091						Friction Lock Propeller Main Heat	1	
-16	404-180080						Propeller - Push - Take-Off	1	
-17	404-180086						Throttle - Push - Open	1	
-18	404-180090						Friction Lock Throttle	1	
-19	404-180081						Mixture - Push - Rich	1	
-20	404-180092						Friction Lock - Oil Shutter	1	
-21	IMBA13300						"Normal" Anti-Icer Knob	1	
-22	644-180173						De-Icer - Pull On - Push Off, Propeller Anti-Icer - Off, Maximum, Ignition Booster, Starter, Starter Selector - Left-Right, Gyrosyn Com- pass De-Slaving Switch - On - Off, Cabin Dome Lights - On - Off, Magnetos - Left Engine Off, Off-Right Engine Off, Off, Circuit Breakers - Press-to-Reset (Anti-Icer Motor, Fluorescent and Instrument Lights, Flap and Elevator Tab Indicator, De-Icer, Cabin and Reading Lights, Flap Motor, Left Oil Temperature, Right Oil Temperature, Gyrosyn Compass DC Power, Bank and Turn Indicator, Inverter)	1	
-23	404-180085						Manifold Heat - Lift - Rich	1	
-24	734-180063						Landing Gear Switch Emergency Release - Press	1	
-25	404-180048						Landing Gear Position - Up - Down	1	
-26	2MBA13595						Left Engine - Off - Left Front - Left Rear - Nose	1	

Figure and Index Number	Group FURNISHINGS							Units per Assy	Usage on Code		
	Major Assembly DECAL AND PLACARD INSTALLATION (Cont'd)										
	Part	1	2	3	4	5	6			7	Nomenclature
2-4-27	404-180120								Tail Wheel - Pull and turn to unlock	1	
-28	407-180027								Parking Brake - To lock depress pedals and pull - to release push or depress pedals, left oil shut off-pull closed, right oil shut off-pull closed, oil by-pass-pull - hot-left-right, cabin heat - push-hot left-right, fire extinguisher - hold switch to discharge.	1	
-29	2MBA13595-1								Right Engine - Off - right front - right rear - nose	1	
-30	50-524128								Aileron Tab - Left Up - Wing - Right Up	1	
-31	404-180124								Aileron Tab - Left Up - Wing - Right Up	1	
-32	404-180014								L. T. Wing Down - R. T. wing down	1	
-33	404-180087								Oil Shutter - Lift cold	1	
-34	111-71019								Anti-Collision Lights	1	
-35	111-71015								Anti-Collision Lights (circuit breaker)	1	
-36	52470								VHF and Compass Light	1	



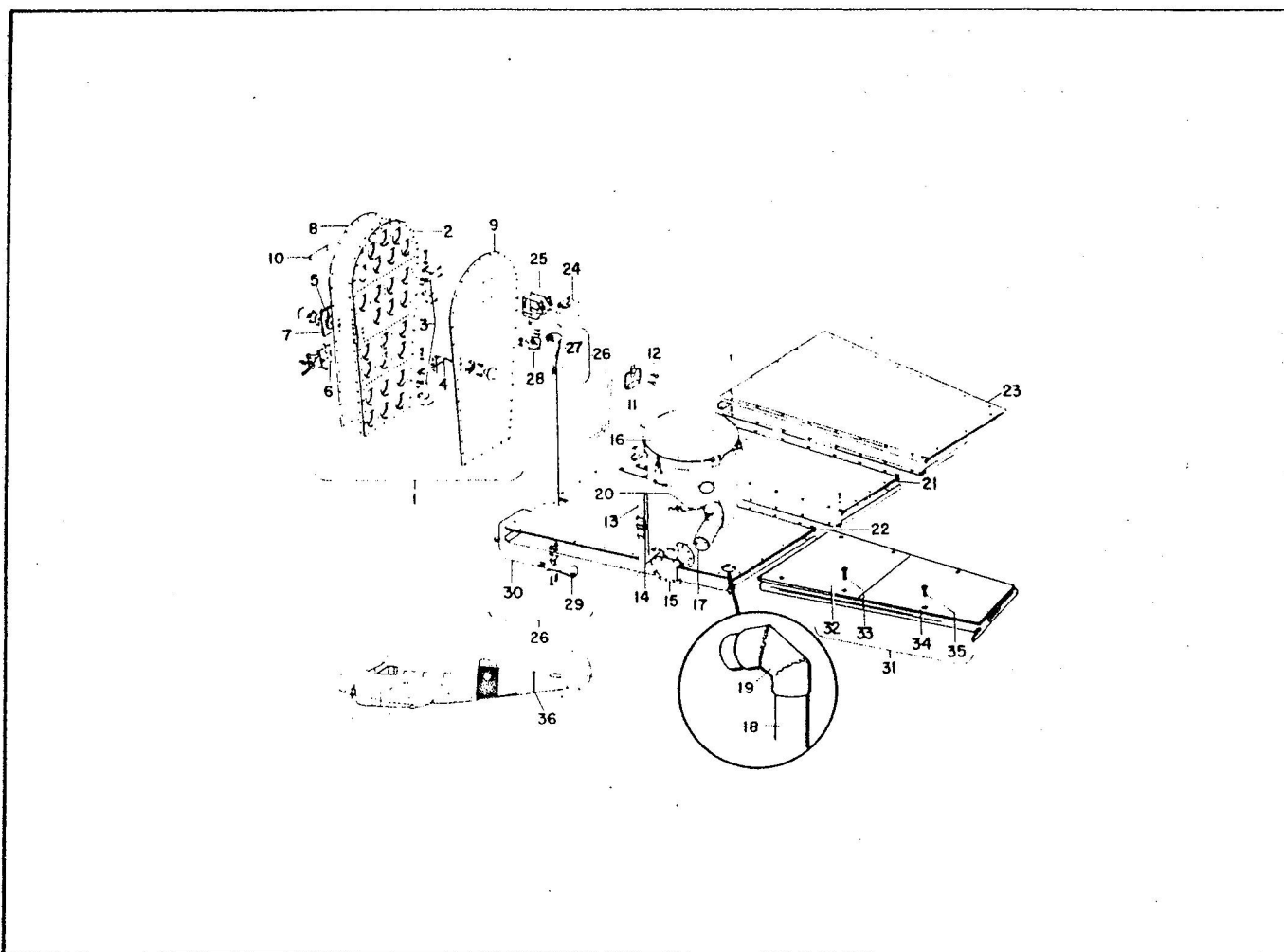


Figure 2-5 Lavatory and Rear Radio Compartment Installation

Figure and Index Number	Group FURNISHINGS							Units per Assy	Usage on Code	
	Major Assembly LAVATORY AND REAR RADIO COMPARTMENT INSTALLATION									
	Part	1	2	3	4	5	6			7
2-5-	644-183200	Compartment Installation - Lavatory (see Figure 94)							Ref	
-1	184820	Door Assembly - Lavatory compartment							1	
-2	184830	Door Assembly - Unfinished							1	
-3	184832	Hinge Assembly - Lavatory door							2	
-4	1503F-1503	Latch Assembly - Lavatory door							1	
	ATTACHING PARTS									
	SK83-632-8	Screw - Commercial (NAB)							2	
-5	100951-DD-187	Washer - Door latch							1	
-6	185622	Plate - Striker							1	
-7	404-183011	Parts - Protector Lavatory Door							1	
		OR								
	111-84020	Plate - Protector Lavatory Door							1	
-8	644-183000-14	Panel Upholstered forward							1	
-9	644-183000-20	Panel Upholstered aft							1	

Figure and Index Number	Group FURNISHINGS							Units per Assy	Usage on Code			
	Major Assembly CABIN FURNISHINGS INSTALLATION											
	Part	1	2	3	4	5	6			7	Nomenclature	
2-5-10	180062								Placard - Lavatory	1		
-11	2609								Holder - Tissue	1		
		ATTACHING PARTS:										
-12	AN515-8R12								Screw - Round head no. 8-32 x 3/4 in.	2		
	AN960-8								Washer - Plain no. 8	2		
	AN365-832								Nut - Self-locking no. 8-32	2		
-13	183209								Belt Assembly - Lavatory installation	1		
-14	7276								Loop - Toilet tie-down	2		
		ATTACHING PARTS:										
	AN510-10-18								Screw - Flathead no. 10-32 x 1-1/8 in.	2		
	AN970-3								Washer - Wood no. 3	2		
	AN960-10L								Washer - Plain no. 10	2		
	AN365-1032								Nut - Self-locking no. 10-32	2		
-15	181177								Cover - Toilet vent	1		
-16	1608A								Toilet - Sanitary (Wickland Mfg. Co. Pasadena, California)	1		
-17	111-728-120-12-16								Duct - Toilet vent	1		
-18	183206-1								Tube - Toilet vent	1		
-19	183200-7								Tube - Toilet vent	1		
-20	No Number								Wraplock - 3/4 in.	2		
-21	404-183151								Board Assembly - Lavatory floor center	1		
-22	404-183152								Board Assembly - Lavatory floor LH	1		
-23	404-183152-1								Board Assembly - Lavatory floor RH	1		
		ATTACHING PARTS:										
	AN526-832R16								Screw - Truss head no. 8-32 x 1 in.	AR		
-24	FA12476								Kit - First aid	1		
*-25	180645								Strap assembly - First aid kit	2		
-26	404-180632								Tube Installation - Relief	1		
-27	AN8018-1								Horn - Relief tube	1		
-28	AN8021								Bracket - Horn support	1		
		ATTACHING PARTS:										
-29	AN515-632-10								Screw - Round head no. 6-32 x 5/8 in.	2		
	6K4								Washer	2		
	AN365-440								Nut - Self-locking no. 4-40	2		
-29	41A9177								Venturi - Relief tube	1		
-30	106043-S-12-08								Tube - Relief	1		
-31	4MBA13246								Floor Installation - Rear radio compartment	1		
	4MBA13244								Floor Assembly - Rear radio compartment	1		
-32	3MBA13245-2								Floor Board	1		
		ATTACHING PARTS:										
-33	AN515-6R18								Screw - Round head no. 6-32 x 1-1/8 in.	4		
	AN960-D-6								Washer - Plain no. 6	4		
	100696-S08-018								Spacer	4		
-34	3MBA13245-3								Floor board	1		
		ATTACHING PARTS:										
-35	AJ3-80								Fastener	2		
	GSA-T-593								Grommet	2		



Figure and Index Number	Group FURNISHINGS						Units per Assy	Usage on Code			
	Major Assembly CABIN FURNISHINGS INSTALLATION (Cont'd)										
	Part	1	2	3	4	5			6	7	Nomenclature
2-5-36	404-180645								Seal Installation - No. 12 bulkhead	1	
	404-180645-2								Panel Assembly	1	

